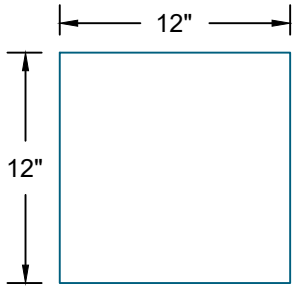
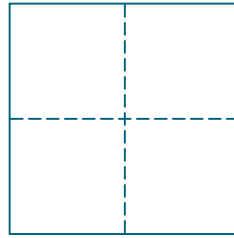


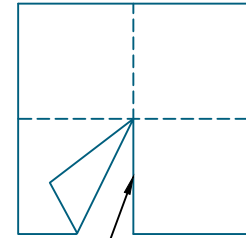
STEP 1:
CUT A 12"X12"
PRIMETAK SQUARE



STEP 2:
FOLD THE SQUARE IN
HALF IN BOTH
DIRECTIONS TO FIND
THE CENTER OF THE
PRIMETAK SQUARE

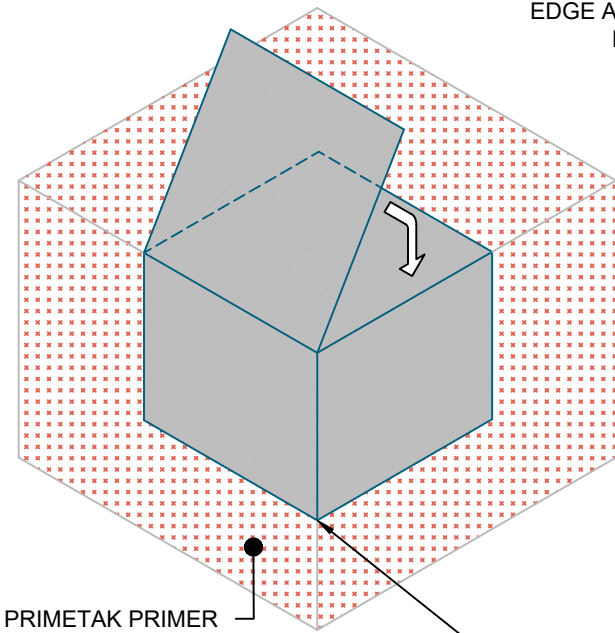


STEP 3:
CUT ONE FOLD LINE TO
THE CENTER OF THE
PRIMETAK SQUARE

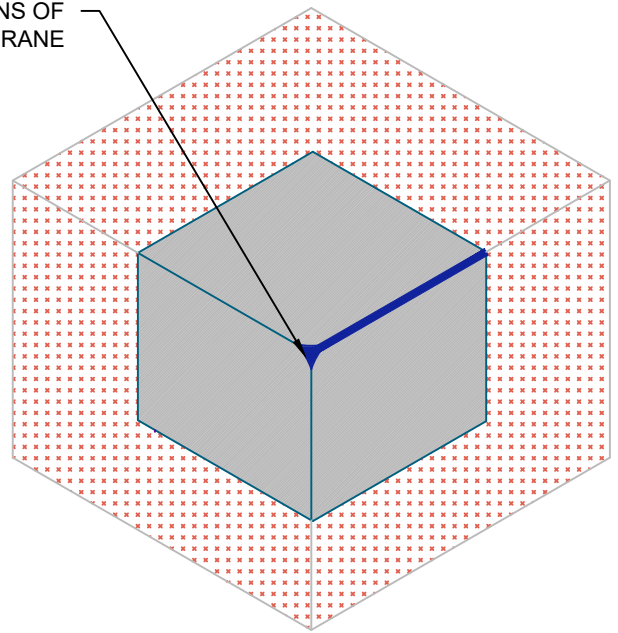


STEP 4:

STEP 5:



PM SEALANT APPLIED TO CUT
EDGE AND TERMINATIONS OF
PRIMETAK MEMBRANE



PIECE OF PRIMETAK MEMBRANE
CUT AND FIT TO CORNER - APPLIED
OVER CONCRETE PREPARED WITH
PRIMETAK PRIMER

NOTE:
DO NOT APPLY PRIMETAK
PRIMER UNDER PM SEALANT

G:\My Drive\Epro Master Folder\Drafting\Details\Walls\Primetak\55.262.3 FIELD FORMED SELF ADHERED OUTSIDE CORNER - NON-HYDROSTATIC.dwg [Detail] April 27, 2021 - 8:18am

CORNER - TOPSIDE - OUTSIDE - FULLY ADHERED FIELD FORMED

	SYSTEM NAME	DRAWING NUMBER	
	PRIMETAK	55.262.3	
	DRAFTER	DATE	
	RJT	4/26/2021	

AS A SUPPLIER OF FINISHED RPRODUCTS ONLY, EPRO SERVICES, INC. DOES NOT ASSUME RESPONSIBILITY FOR ERRORS IN DESIGN, ENGINEERING OR DIMENSIONS. THE PROJECT TEAM MUST VERIFY ALL DIMENSIONS AND SUITABILITY OF DETAILS. THE PRODUCTS LISTED ARE TRADEMARKS OF EPRO SERVICES, INC.

NTS

PAGE 1 OF 1