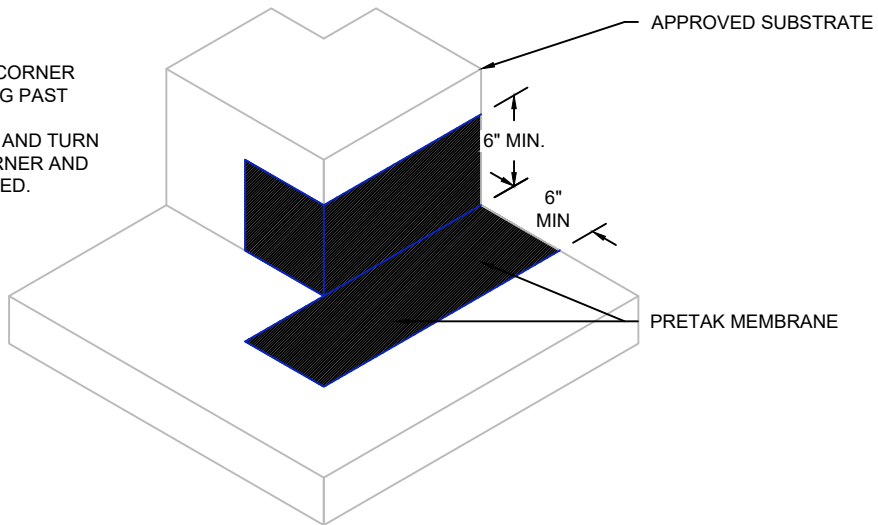
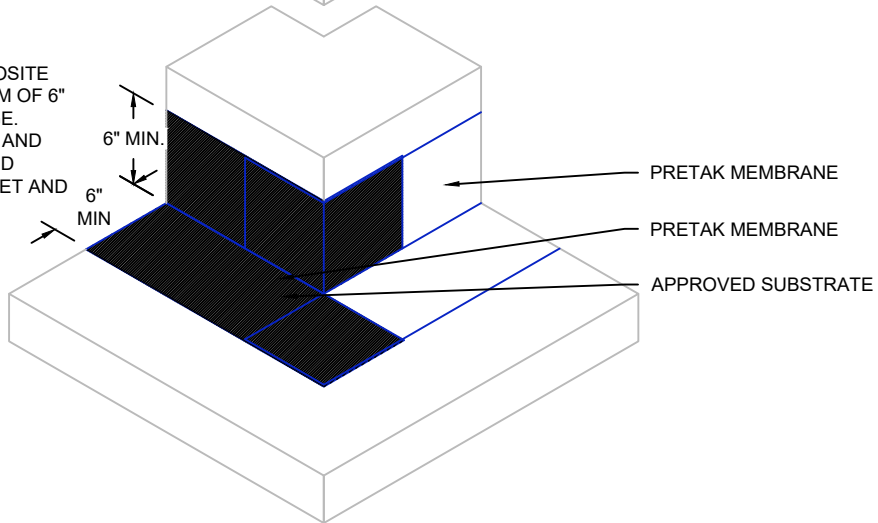


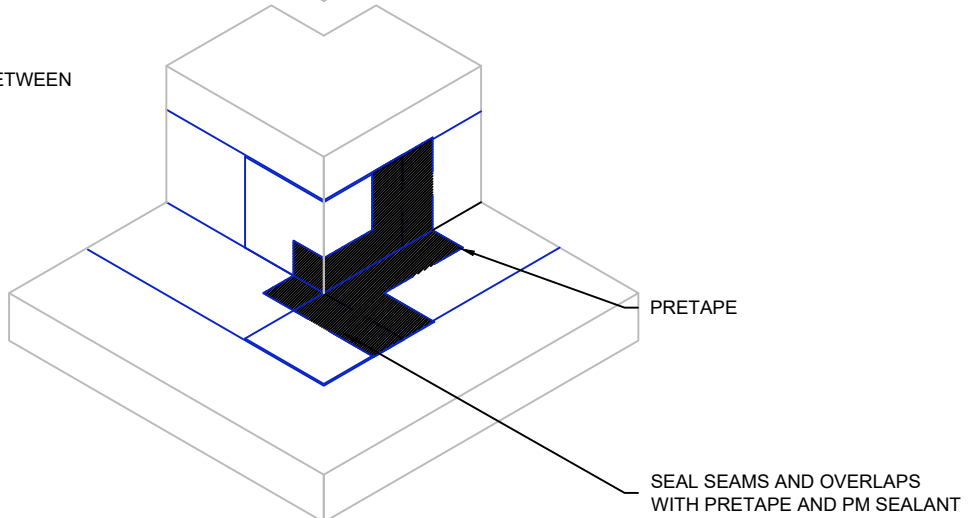
STEP 1:
 APPLY PRETAK TO ONE SIDE OF CORNER
 WITH A MINIMUM OF 6" EXTENDING PAST
 CORNER'S EDGE.
 CUT FOLD AT BOTTOM OF SHEET AND TURN
 VERTICAL SECTION AROUND CORNER AND
 LEAVE HORIZONTAL LEG EXTENDED.



STEP 2:
 APPLY SECOND PRETAK TO OPPOSITE
 SIDE OF CORNER WITH A MINIMUM OF 6"
 EXTENDING PAST CORNER'S EDGE.
 CUT FOLD AT BOTTOM OF SHEET AND
 TURN VERTICAL SECTION AROUND
 CORNER TO OVERLAP FIRST SHEET AND
 OVERLAP HORIZONTAL LEGS.





STEP 3:
 APPLY PRETAPE AT THE SEAM BETWEEN
 THE TWO SHEETS



G:\My Drive\Epro Master Folder\Drafting\Details\Shoring\Pretak\51.381.2 OUTSIDE CORNER.dwg [Detail] June 01, 2020 - 10:29am

OUTSIDE CORNER

| | | | |
|---|-------------|----------------|---|
|  | SYSTEM NAME | DRAWING NUMBER |  |
| | PRETAK | 51.381.2 | |
| | DRAFTER | DATE | |
| | RJT | 05/29/2020 | |

AS A SUPPLIER OF FINISHED RPRODUCTS ONLY, EPRO SERVICES, INC. DOES NOT ASSUME RESPONSIBILITY FOR ERRORS IN DESIGN, ENGINEERING OR DIMENSIONS. THE PROJECT TEAM MUST VERIFY ALL DIMENSIONS AND SUITABILITY OF DETAILS. THE PRODUCTS LISTED ARE TRADEMARKS OF EPRO SERVICES, INC.

NTS

PAGE 1 OF 1