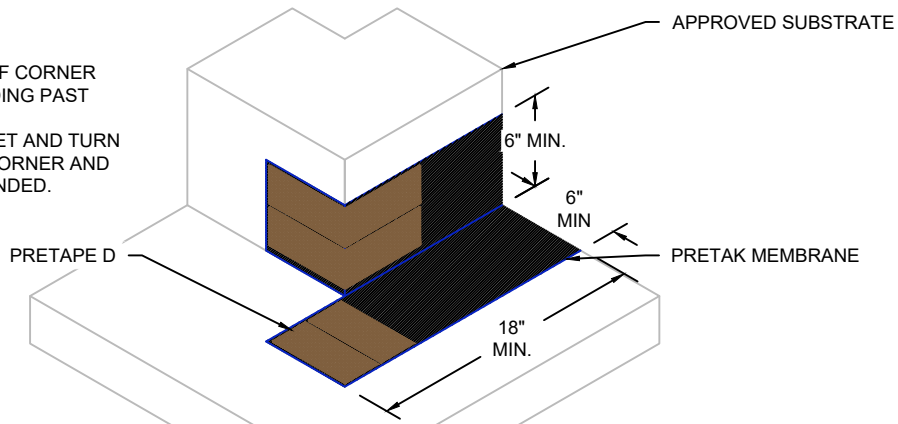
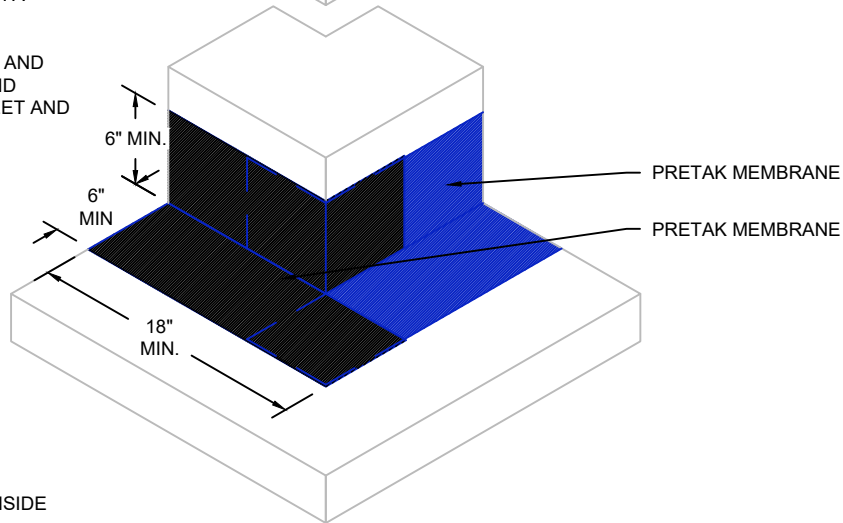


STEP 1:
 APPLY PRETAK TO ONE SIDE OF CORNER
 WITH A MINIMUM OF 6" EXTENDING PAST
 CORNER'S EDGE.
 CUT FOLD AT BOTTOM OF SHEET AND TURN
 VERTICAL SECTION AROUND CORNER AND
 LEAVE HORIZONTAL LEG EXTENDED.



STEP 2:
 APPLY PRETAP D TO
 AREAS COVERED BY
 SECOND SHEET

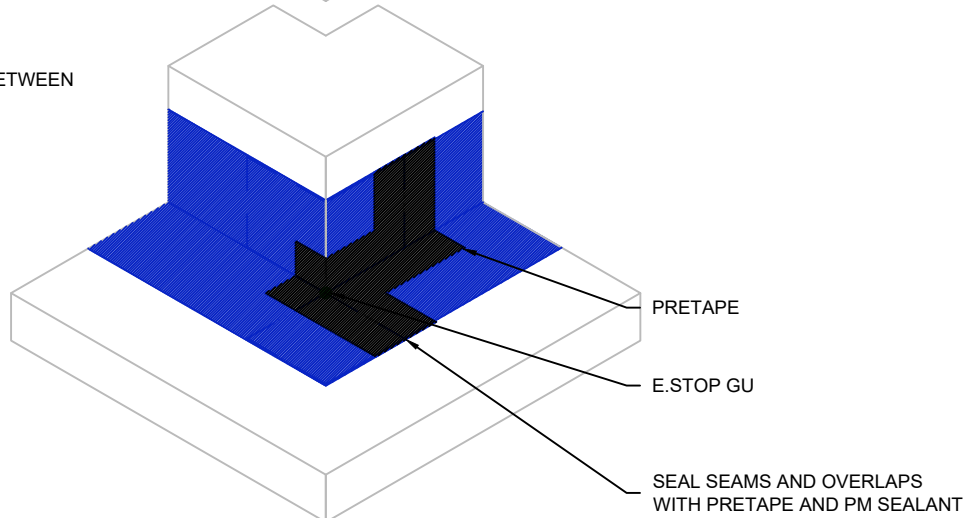
STEP 3:
 APPLY SECOND PRETAK SHEET TO
 OPPOSITE SIDE OF CORNER WITH A
 MINIMUM OF 6" EXTENDING PAST
 CORNER'S EDGE.
 CUT FOLD AT BOTTOM OF SHEET AND
 TURN VERTICAL SECTION AROUND
 CORNER TO OVERLAP FIRST SHEET AND
 OVERLAP HORIZONTAL LEGS.



STEP 4:
 REMOVE RELEASE LINER
 FROM PRETAP D AND
 ADHERE SECOND SHEET
 TO FIRST SHEET



STEP 5:
 APPLY BEAD OF E.STOP GU TO INSIDE
 CORNER OF DETAIL

STEP 6:
 APPLY PRETAP AT THE SEAM BETWEEN
 THE TWO SHEETS



G:\My Drive\Epro Master Folder\Drafting\Details\Shoring\Pretak\51.381.2 CORNER - OUTSIDE - FIELD FORMED.dwg [Detail] April 12, 2021 - 9:37am

CORNER - OUTSIDE - FIELD FORMED

	SYSTEM NAME	DRAWING NUMBER	
	PRETAK	51.381.2	
	DRAFTER	DATE	
	RJT	3/17/2021	

AS A SUPPLIER OF FINISHED RPRODUCTS ONLY, EPRO SERVICES, INC. DOES NOT ASSUME RESPONSIBILITY FOR ERRORS IN DESIGN, ENGINEERING OR DIMENSIONS. THE PROJECT TEAM MUST VERIFY ALL DIMENSIONS AND SUITABILITY OF DETAILS. THE PRODUCTS LISTED ARE TRADEMARKS OF EPRO SERVICES, INC.

NTS

PAGE 1 OF 1