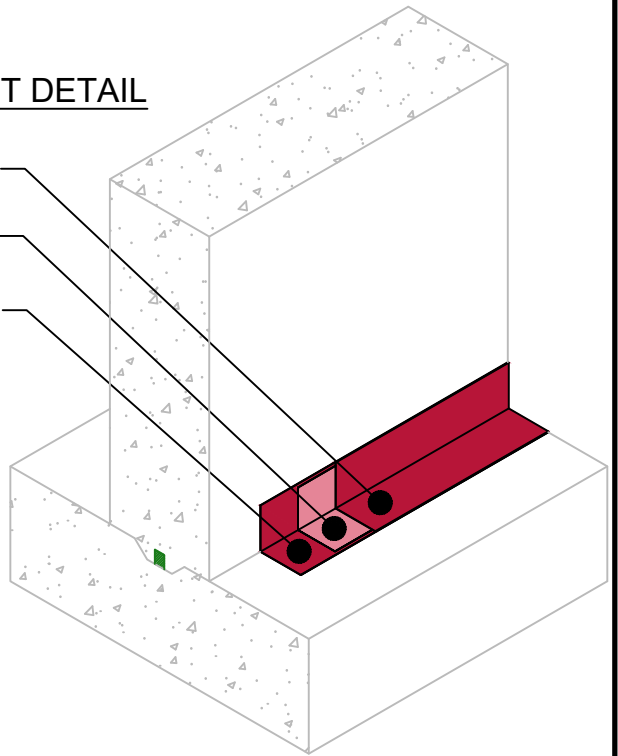


REINFORCEMENT DETAIL

E.ROLL 30 MIL

EPOLY

E.ROLL 30 MIL

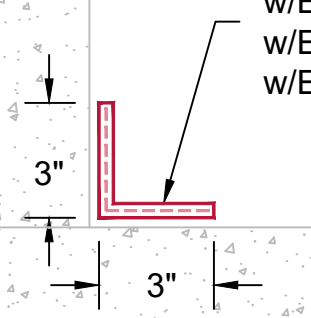


REINFORCEMENT DETAIL

w/E.ROLL 30 MIL

w/E.POLY



w/E.ROLL 30 MIL



E.STOP B

G:\My Drive\Epro Master Folder\Drafting\Details\Walls\E.Proformance\1.261.1 FOOTING TO WALL COLD JOINT.dwg [Detail] September 22, 2020 - 1:28pm

WALL TO FOOTING COLD JOINT

	SYSTEM NAME	DRAWING NUMBER	
	E.PROFORMANCE	1.261.1	
	DRAFTER	DATE	
	RJT	9/17/2020	

AS A SUPPLIER OF FINISHED RPRODUCTS ONLY, EPRO SERVICES, INC. DOES NOT ASSUME RESPONSIBILITY FOR ERRORS IN DESIGN, ENGINEERING OR DIMENSIONS. THE PROJECT TEAM MUST VERIFY ALL DIMENSIONS AND SUITABILITY OF DETAILS. THE PRODUCTS LISTED ARE TRADEMARKS OF EPRO SERVICES, INC.

NTS

PAGE 1 OF 1